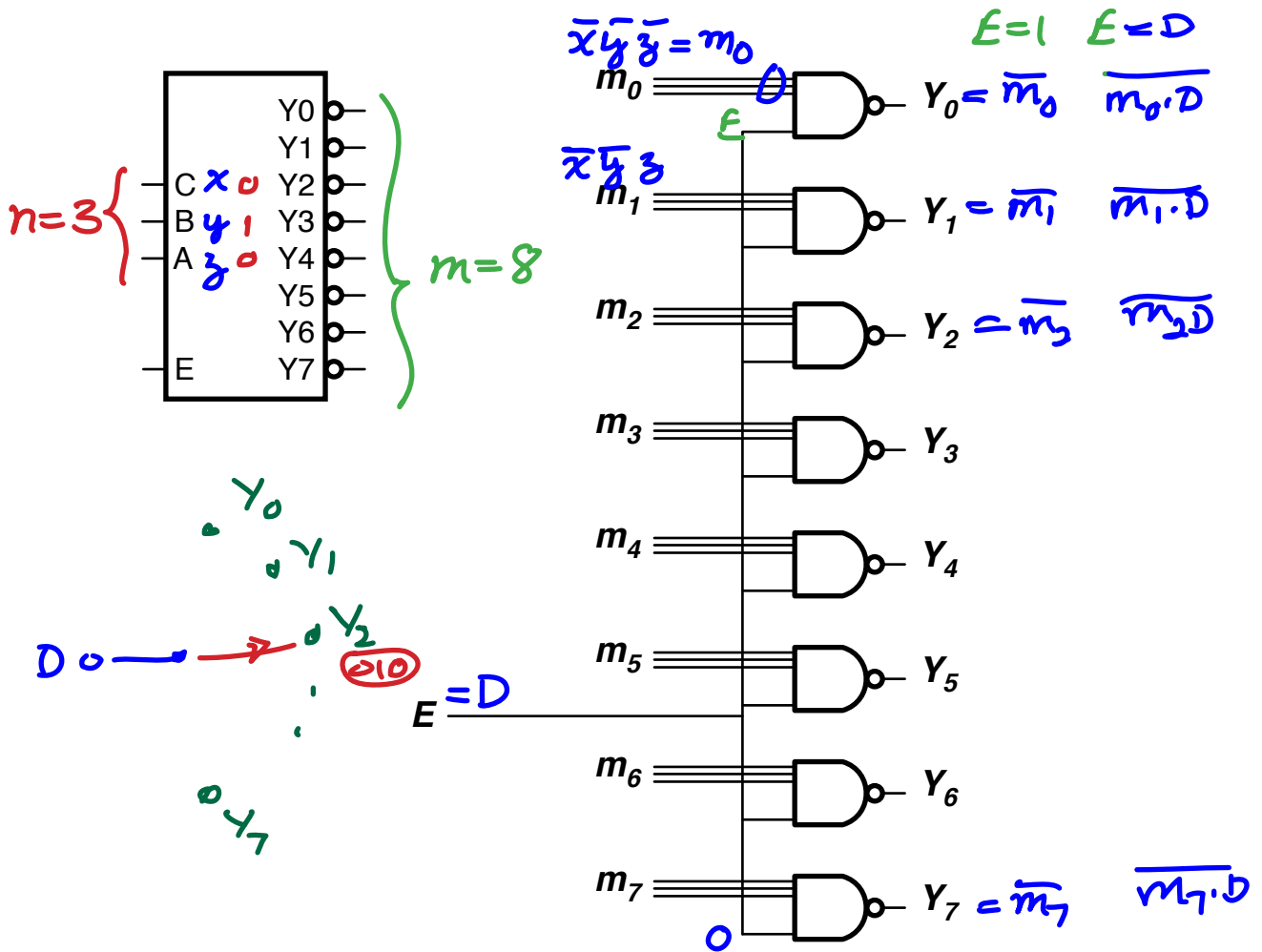


3-line to 8-line Decoder



Summary:

Decoder

$$Y_i = \bar{m}_i \cdot E$$

$E=1 \Rightarrow Y_i = \bar{m}_i$ enabled
 $E=0 \Rightarrow Y_i = 0$ disabled.

DeMUX

$$Y_i = \bar{m}_i \cdot D$$