

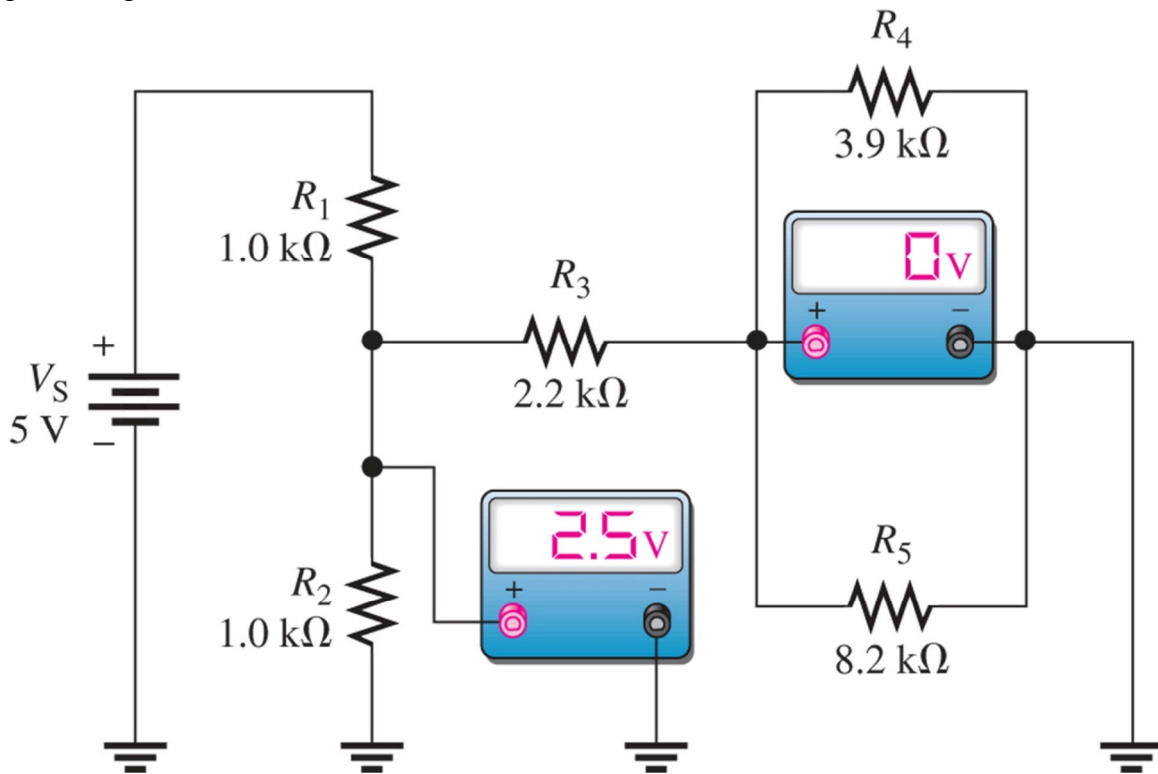
Textbook Errata for Principles of Electric Circuits Conventional Current Version 9th Edition

p. iv: “NI/com/Multisim” should read “ni.com/multisim.”

p.19: Answer to Example 1-19 should read, “There are between 1 and 2 significant figures difference between the number 10 and the number 10.0.”

p. 118: Problem 17 should read: “If a load is rated at 150 W at 75 V, what is the resistance value of the load?”

p.281: Figure 7-85 should be:



p. 954: Chapter 4: Question 33: The answer should be 50,625 J

p.955: Chapter 5: Question 21: (c) the answer should be 1 W

p.957: Chapter 8: Question 31: The answer should be $I_N = 9.1$ mA, $R_N = 56.9$ Ω